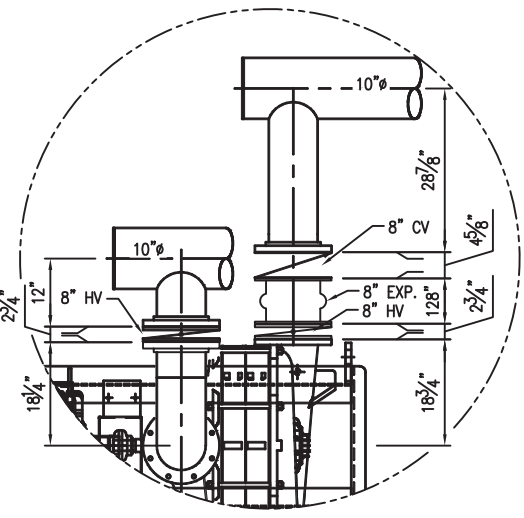
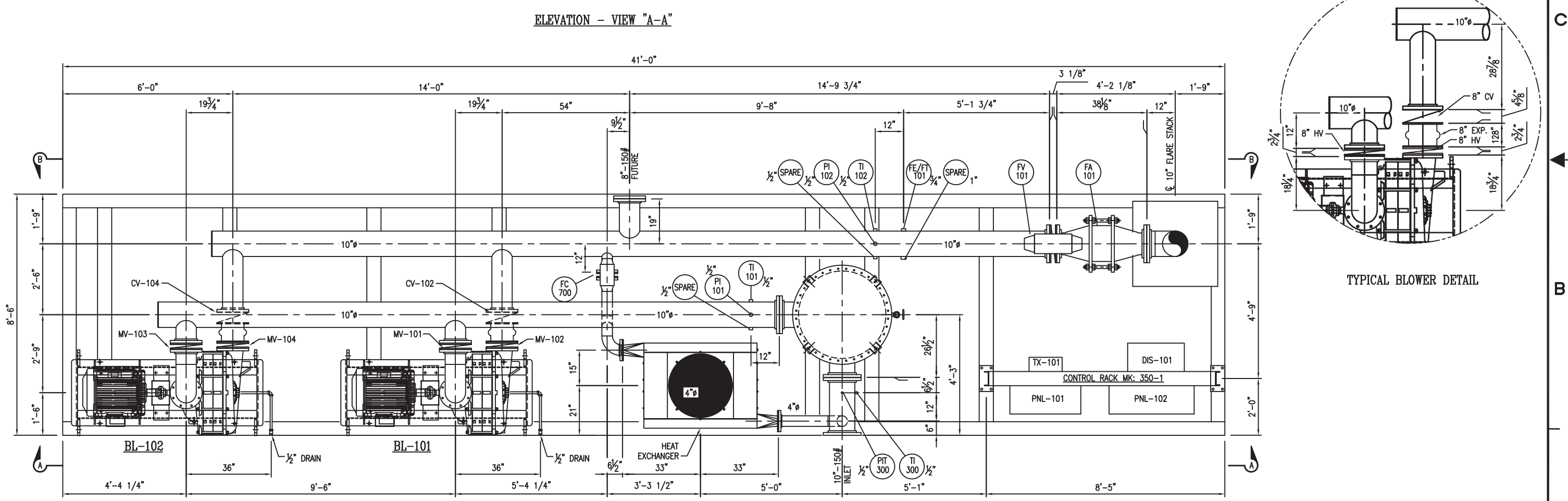
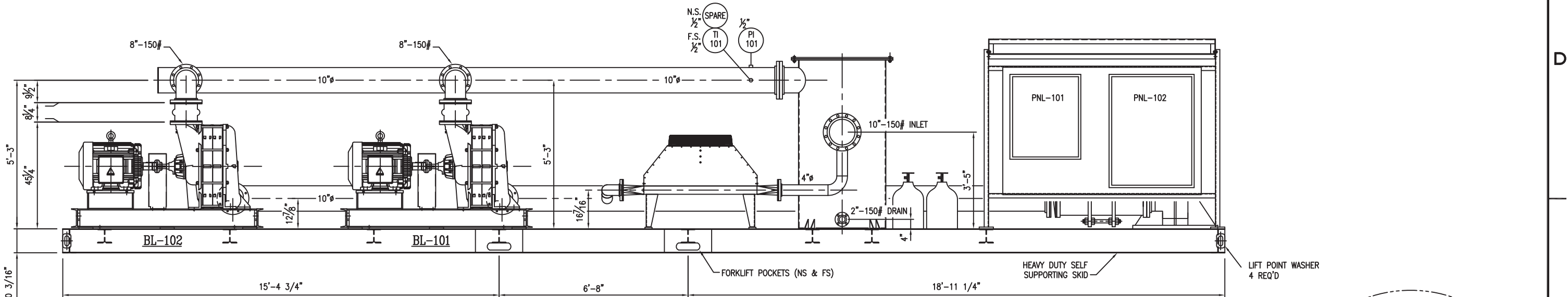


PROPRIETARY MATERIAL
The information contained within is the property of Parnel Biogas Inc and shall not be copied or used in any manner or disclosed to others except as expressly authorized.

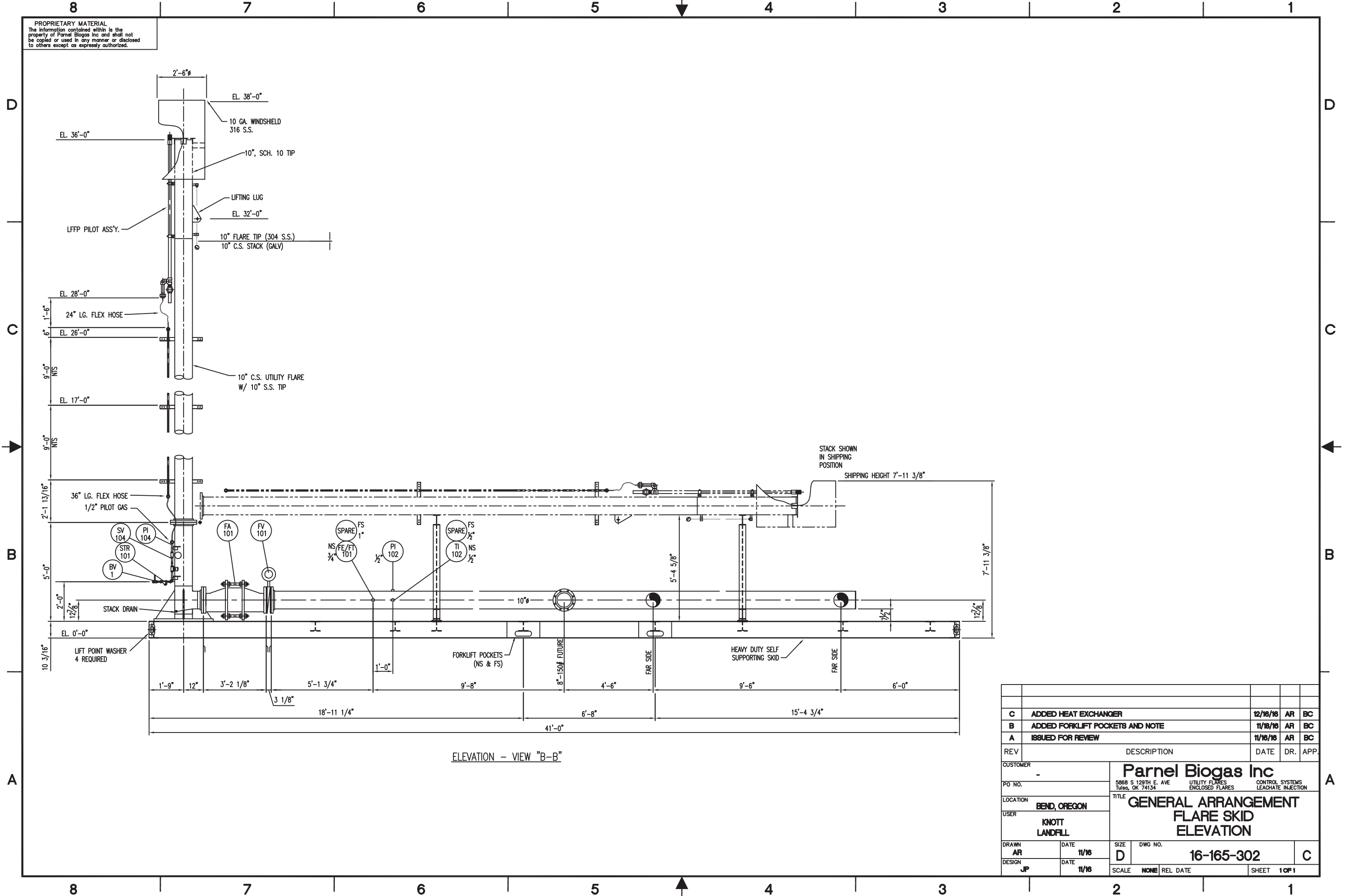


NOTES:
1. 304SS SCH. 10 UNLESS OTHERWISE NOTED

REV	DESCRIPTION	DATE	DR.	APP.	DESIGN
D	ADDED HEAT EXCHANGER	12/16/16	AR	BC	
C	REVISED KO POT OUTLET TO 10"	12/9/16	AR	BC	
B	ADDED FORKLIFT POCKETS AND NOTE	11/16/16	AR	BC	
A	ISSUED FOR REVIEW	11/16/16	AR	BC	

CUSTOMER	-	Parnel Biogas Inc 5868 S 129TH E AVE TULSA, OK 74134 UTILITY FLARES ENCLOSED FLARES CONTROL SYSTEMS LEACHATE INJECTION				
PO NO.						
LOCATION	BEND, OREGON					
TITLE		GENERAL ARRANGEMENT PLAN AND ELEV. VIEW				
USER		KNOTT LANDFILL				
DRAWN	AR	DATE	11/16	SIZE	DWG NO.	D 16-165-301
DESIGN	JP	DATE	11/16	SCALE	NONE REL DATE	
SHEET						1 OF 1

PROPRIETARY MATERIAL
 The information contained within is the property of Parnel Biogas Inc and shall not be copied or used in any manner or disclosed to others except as expressly authorized.

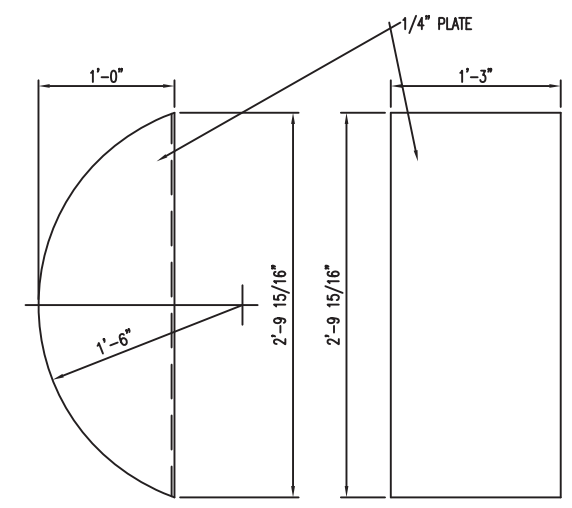
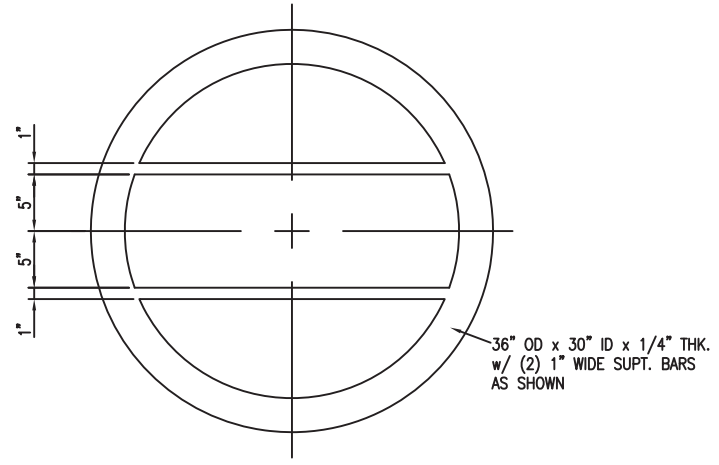
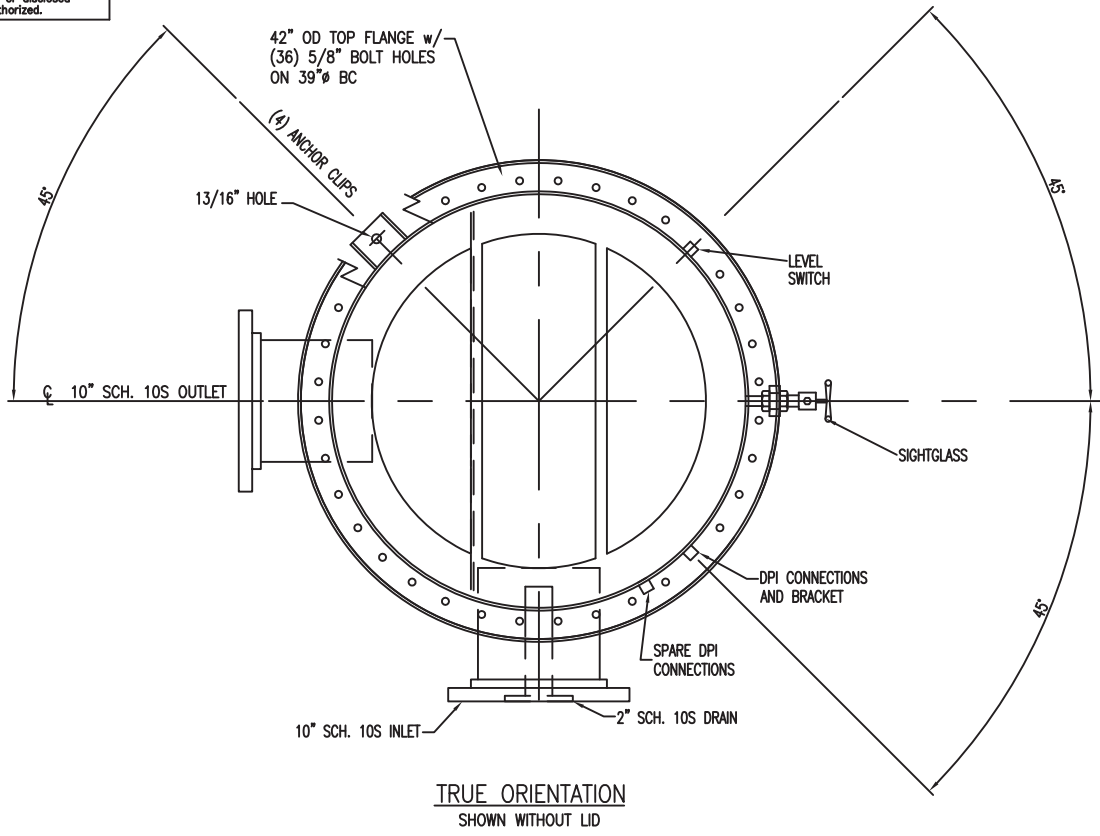


ELEVATION - VIEW "B-B"

REV	DESCRIPTION	DATE	DR.	APP.
C	ADDED HEAT EXCHANGER	12/16/16	AR	BC
B	ADDED FORKLIFT POCKETS AND NOTE	11/16/16	AR	BC
A	ISSUED FOR REVIEW	11/16/16	AR	BC

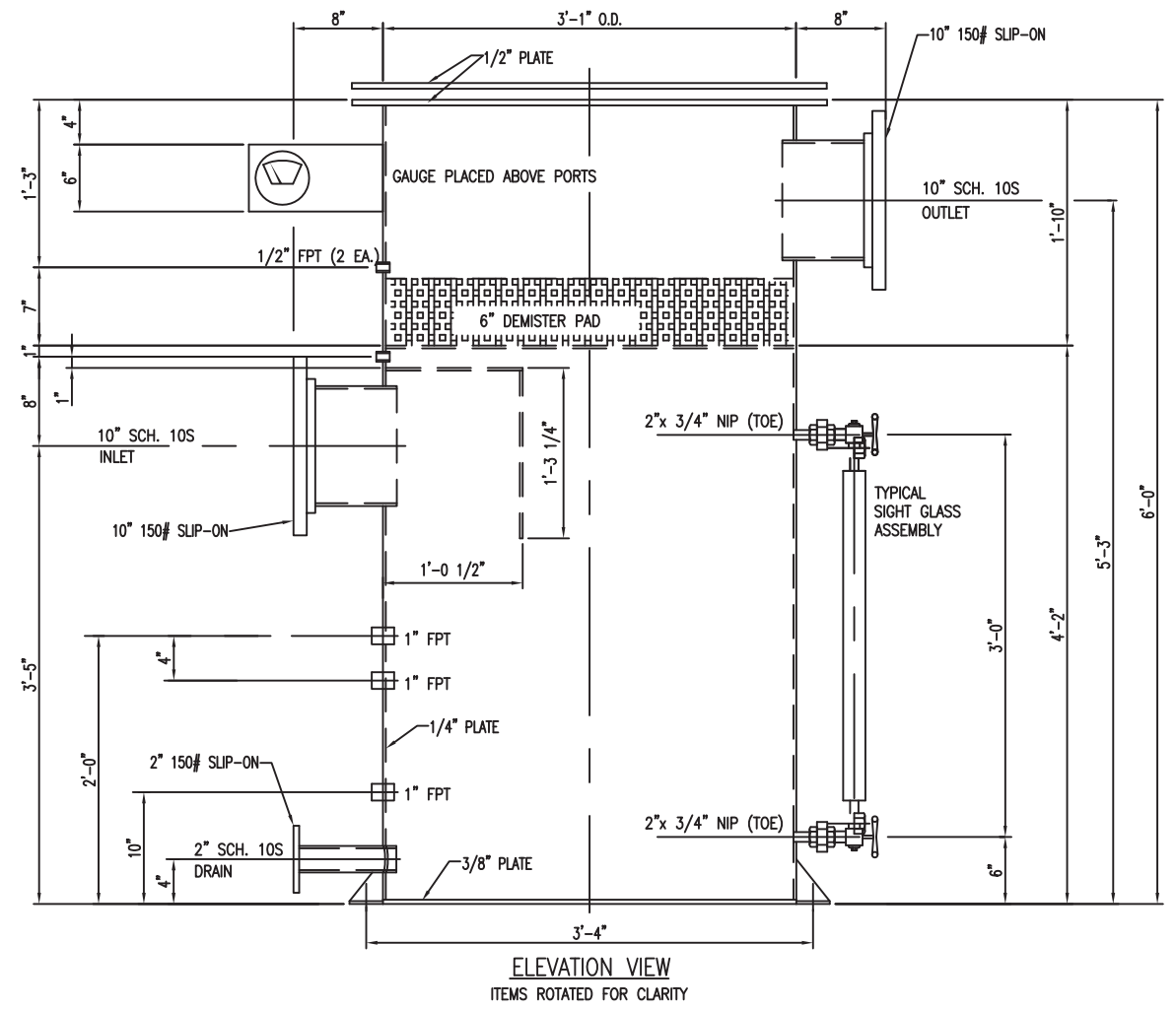
CUSTOMER		Parnel Biogas Inc		
PO NO.		5868 S 129TH E. AVE Tulsa, OK 74134		UTILITY FLARES ENCLOSED FLARES
LOCATION	BEND, OREGON	CONTROL SYSTEMS LEACHATE INJECTION		
USER	KNOTT LANDFILL	TITLE GENERAL ARRANGEMENT FLARE SKID ELEVATION		
DRAWN	AR	DATE	11/16	SIZE D
DESIGN	JP	DATE	11/16	DWG NO. 16-165-302
SCALE NONE		REL DATE		C
SHEET 1 OF 1				

PROPRIETARY MATERIAL
The information contained within is the property of Parnel Biogas Inc and shall not be copied or used in any manner or disclosed to others except as expressly authorized.

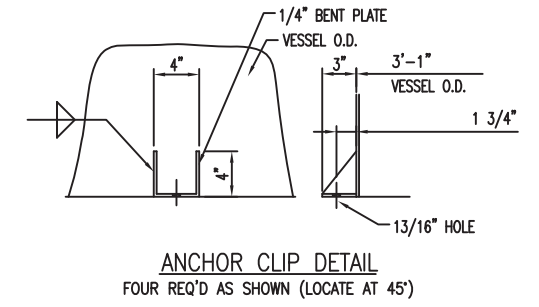
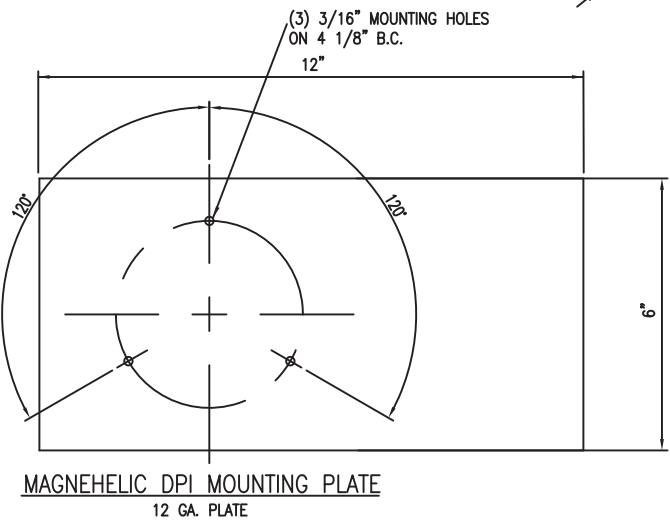
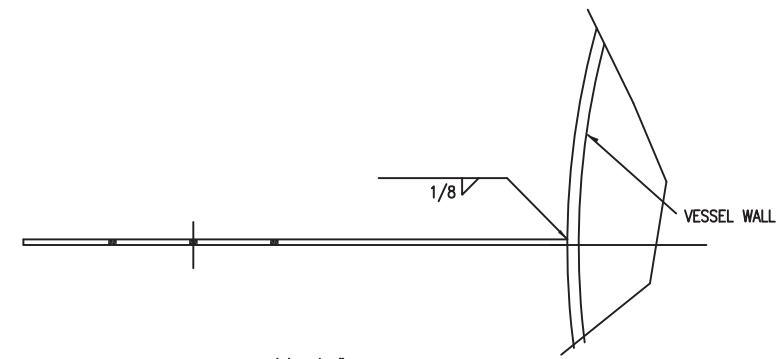


DEMISTER SUPPORT DETAIL
SHOWN WITHOUT LID

BAFFLE PLATE DETAIL
TWO PIECES AS SHOWN



ELEVATION VIEW
ITEMS ROTATED FOR CLARITY



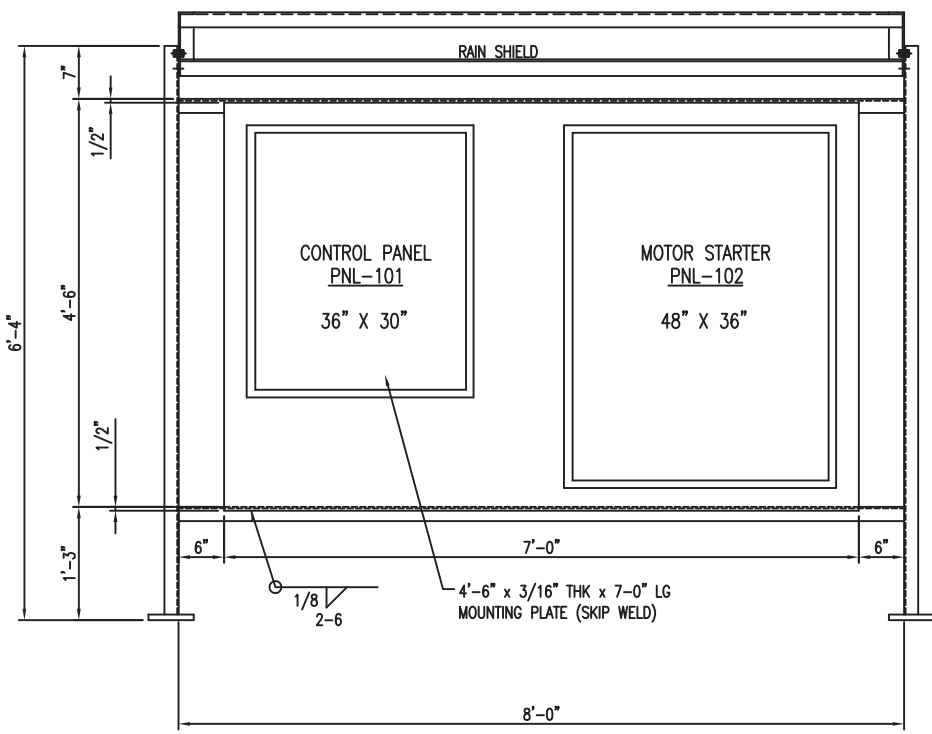
MAGNEHELIC DPI MOUNTING PLATE
12 GA. PLATE

- NOTES
1. ALL MATERIAL TO BE 304SS.
 2. ALL NOZZLES TO HAVE 1" MIN. PROJECTION INSIDE.

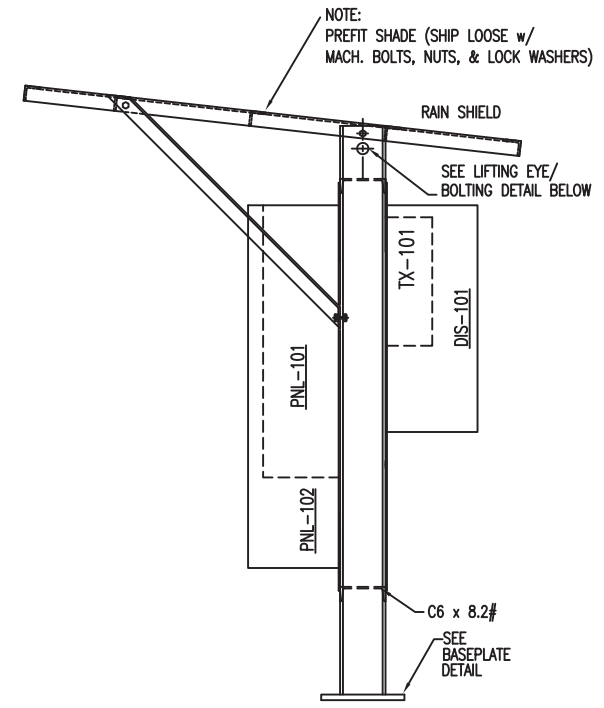
REV	DESCRIPTION	DATE	DR.	APP.
B	REVISED KO POT OUTLET	12/9/16	AR	BC
A	ISSUED FOR REVIEW	11/16/16	AR	BC

CUSTOMER		-	
PO NO.		-	
LOCATION		BEND, OREGON	
USER		KNOTT LANDFILL	
DRAWN		AR	DATE 11/16
DESIGN		JP	DATE 11/16
TITLE		Parnel Biogas Inc 5868 S 129TH E. AVE TULSA, OK 74134 UTILITY FLARES CONTROL SYSTEMS ENCLOSED FLARES LEACHATE INJECTION KNOCKOUT POT DETAIL 37" O.D. x 6'-0" TALL 10" INLET x 10" OUTLET	
SIZE	DWG. NO.	SCALE	REL. DATE
D	16-165-340	NONE	
SHEET		1 OF 1	

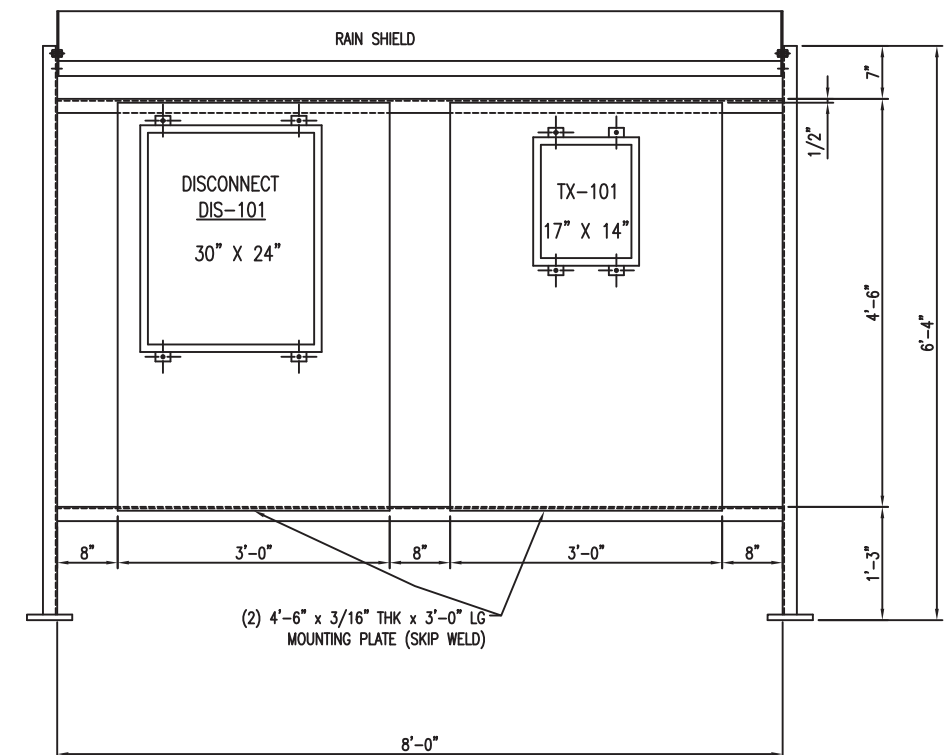
PROPRIETARY MATERIAL
The information contained within is the property of Parnel Biogas Inc and shall not be copied or used in any manner or disclosed to others except as expressly authorized.



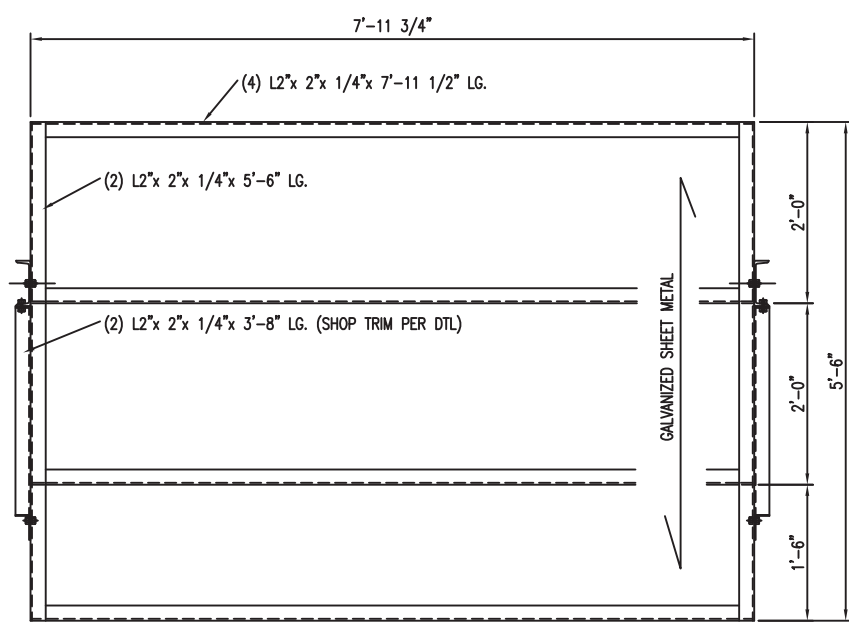
FRONT ELEVATION



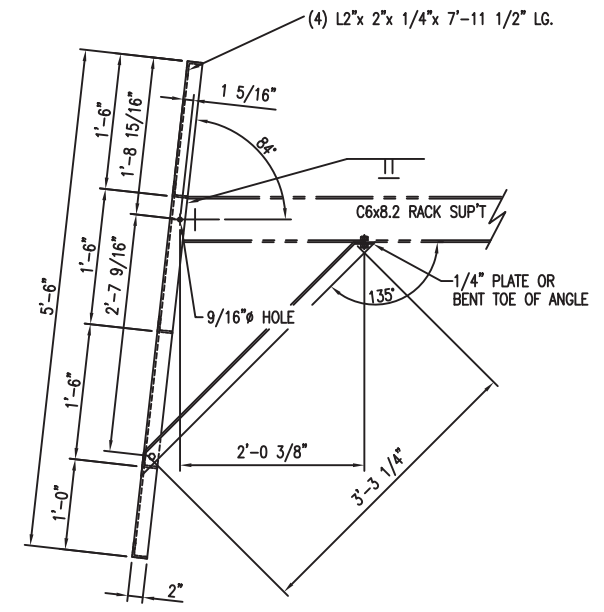
END ELEVATION



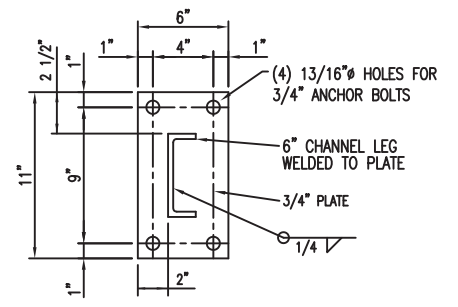
BACK ELEVATION



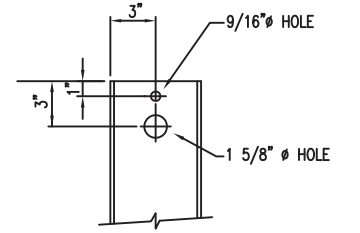
SUN SHADE DETAIL
TAG: 350-1
(SHIP LOOSE)



SIDE VIEW
SHOP FIT TO RACK



BASEPLATE DETAIL
(2 REQ'D)



LIFTING EYE / BOLTING DETAIL
(2 REQ'D)

- NOTES:
- * SHIP LOOSE ITEMS.
 - FINISH - EXTERNAL CARBON STEEL: SANDBLAST PER SSPC-SP-6 AND HOT DIP GALVANIZE
 - PIPING PER PARNEL SPEC. B-1
 - ALL WELDS TO BE 3/16" MIN. CONT. SEAL WELDS PER AWS D1.1, UNLESS NOTED OTHERWISE
 - ALL BUTTWELDS TO BE FULL PENETRATION
 - ALL VA's & PANELS TO HAVE MANUFACTURER'S STANDARD FINISH
 - RACK PIPING TO BE SOAP BUBBLE TESTED.
 - USE SCREWED FITTINGS ON RACK PIPING.
 - STRUCTURAL STEEL TO BE A-36 UNLESS NOTED OTHERWISE.
 - FABRICATION PER A.I.S.C.

REFERENCE DWG. 16-165-301 BLOWER SKID ARRANGEMENT

REV	DESCRIPTION	DATE	DR.	APP.	DESIGN	DATE	SCALE	NONE	REL. DATE	SHEET	1 OF 1
A	ISSUED FOR REVIEW	11/16/16	AR	BC	AR	11/16	D				
					JP	11/16					

TAG: 350-1

CUSTOMER	-	Parnel Biogas Inc 5868 S 129TH E. AVE Tulsa, OK 74134	UTILITY FLARES	CONTROL SYSTEMS	
PO NO.			ENCLOSED FLARES	LEACHATE INJECTION	
LOCATION	BEND, OREGON	TITLE			
USER	KNOTT LANDFILL	CONTROL RACK ARRANGEMENT			
DRAWN	AR	DATE	11/16	SIZE	DWG. NO.
DESIGN	JP	DATE	11/16	D	16-165-350