
**Knott Landfill – Cell 7 Construction Project
Deschutes County Department of Solid Waste
Deschutes County, Oregon**

ADDENDUM NO. 1

Project Title: Knott Landfill – Cell 7 Construction Project

Date Issued: October 13, 2017

Bid Submittal Date: October 25, 2017 at 2:00 p.m.

This addendum is issued to revise the “Contract Documents for the Construction of Knott Landfill – Cell 7 Construction Project” that are dated September 22, 2017. There is no change to the bid submittal date and time. Sealed bids will continue to be received at the Deschutes County Department of Solid Waste, 61050 SE 27th Street, Bend, Oregon 97702, until but not after, 2:00 p.m. on October 25, 2017. Revisions shall be as follows:

1. Delete the second sentence of the 8th paragraph in the **Invitation to Bid** and replace with the following:

“The prequalification classification required for this project is “**Earthwork and Drainage Construction.**”

2. Delete **Item 7. Modification or Withdrawal of Proposal** in the **Information for Bidders** section and replace with the following (Information for Bidders – Page 2):

“**7. Withdrawal of Proposal.** Proposals may be withdrawn prior to the scheduled time for the opening of the proposals either by electronic facsimile (541-317-3959), email (chadc@deschutes.org) or in person. No proposal may be withdrawn after the time scheduled for opening of proposals, unless the County has failed to comply with the time limits applicable to award of the Contract.”

3. Delete the fourth sentence of **Item 23. Prequalification of Bidders** in the **Information for Bidders** section and replace with the following (Information for Bidders – Page 5):

“The prequalification classification required for this project is “**Earthwork and Drainage Construction.**”

4. Delete **Special Provisions - Section 02320 – Cell 7 Pump Station, F. Measurement and Payment, 2. Payment** section and replace with the following (Special Provisions - Page 67):

“**2. Payment:** Shall be paid for at the applicable contract lump sum price, payment for which shall constitute full compensation for furnishing and installing the Cell 7 Pump Station **and performing the required modifications to the Cell 5 & 6 Pump Stations** complete: including the submersible pumps; discharge pipe and fittings for County; liquid level monitoring sensor and flow meter sensors; primary and secondary riser pipes; connections to the existing control

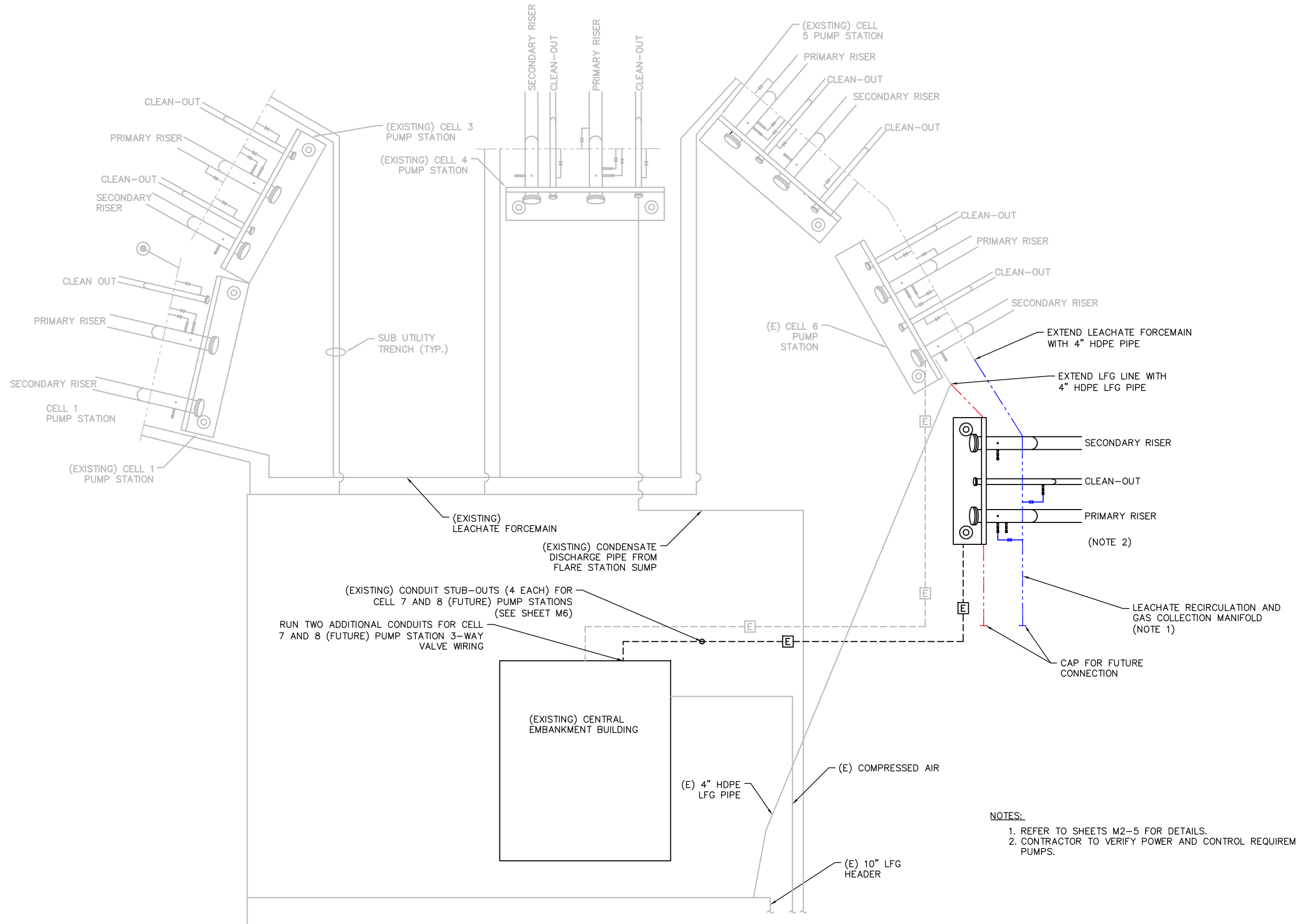
panel; concrete wall and slab with steel reinforcement; freeze protection system; bollards; connection to the existing electrical service; the Flo-Wing meters; Unistrut pipe supports; and all necessary piping, spools, and attachments, excavation, bedding and backfill including materials, compaction, and all other incidentals necessary to provide the work as shown on the drawings and as described in the specifications.”

5. Modify **Detail 13** on **Drawing D8** by showing the Separating Geotextile on the floor only. Separating geotextile is not required on the side slope.

6. Delete **Drawing M1 through M5** (dated 9/22/17) and replace with the attached **Drawing M1 through M6 – Revision B** (dated 10/13/17).

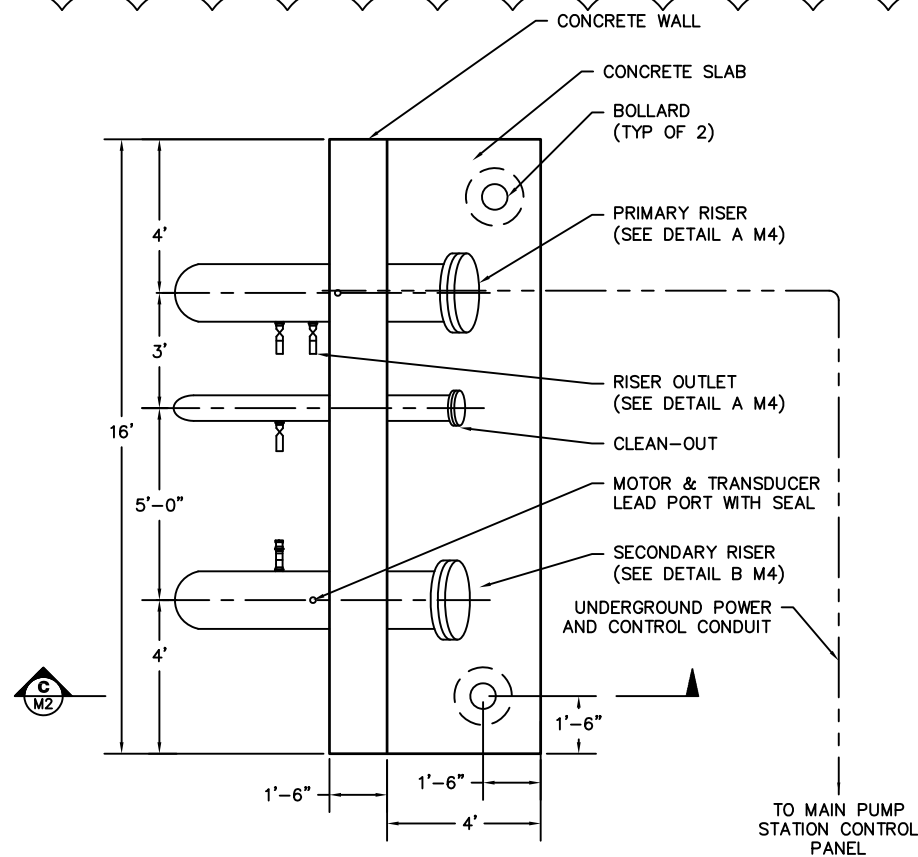
Bidders are reminded that receipt of this Addendum must be acknowledged by the Bidder in the Acknowledgement of Addendums section that is shown on Page 3 of the Bid Proposal.

Z:\ESI CAD Directory\Job Files\CAD\Knott Landfill\2017\2017 Design.dwg 10/13/2017 pdearing

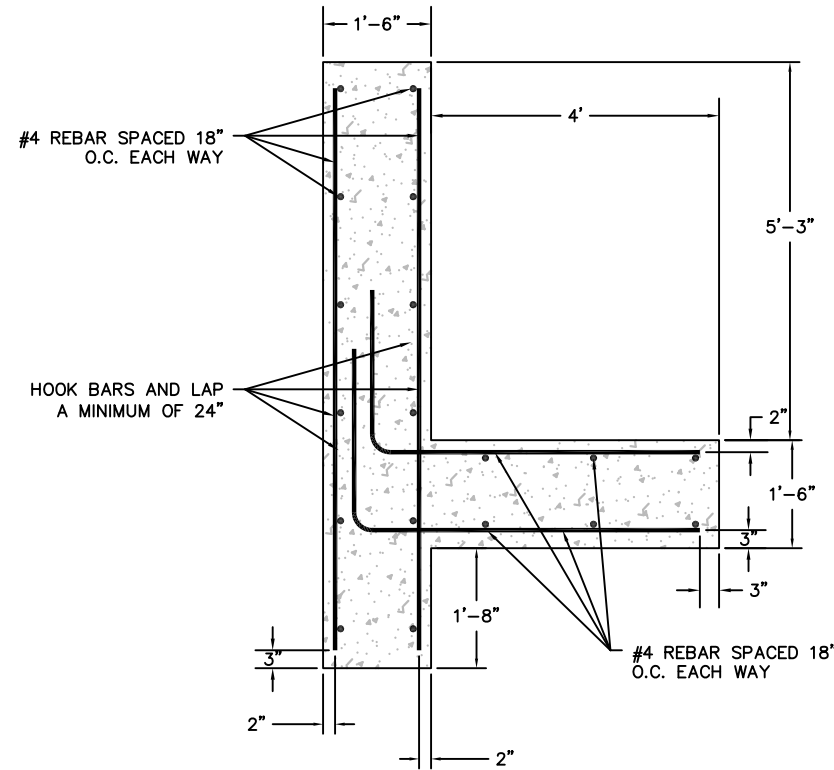


- NOTES:**
- REFER TO SHEETS M2-5 FOR DETAILS.
 - CONTRACTOR TO VERIFY POWER AND CONTROL REQUIREMENTS FOR THE PUMPS.

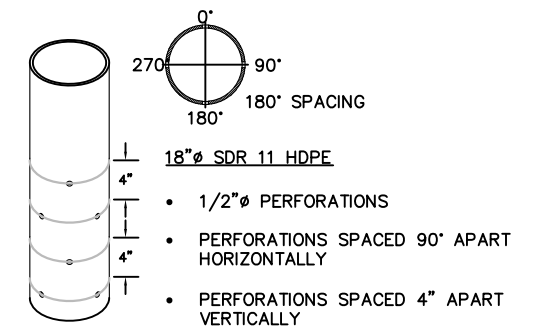
				JOB No. 018.005	DESIGNED: CF	PROJ. ENGINEER: CF	 15820 BARCLAY DRIVE SISTERS, OR 97759 PHONE: (541) 549-8766 FAX: (541) 549-1901	 G. Friesen Associates, Inc. 4088 Orchard Drive Lake Oswego, Oregon 97035 Tel: (503) 635-1233 Fax: (866) 533-5543	KNOTT LANDFILL CELL 7 CONSTRUCTION PROJECT DESCHUTES COUNTY, OREGON	CELL 7 PUMP STATION LAYOUT	DRAWING NUMBER: M1
				SCALE: AS SHOWN	DRAWN BY: PD	APPROVED BY: WS					CAD FILE NUMBER: M01
				CHECKED BY: WS	DATE: 09/22/17	SHEET: 15 OF 20					REV. B
No.	DATE	BY	REVISION								
A	10/13/17	CF	PUMP STATION REVISIONS								
B	09/22/17	CF	ISSUED FOR CONSTRUCTION								



A PUMP STATION PLAN
M2

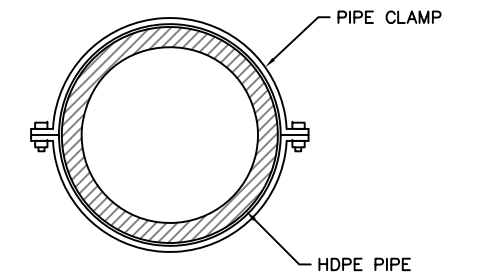


E PUMP STATION WALL DETAIL
M2



1. ALTERNATE PERFORATION DETAILS MAY BE SUBMITTED IF THE CONTRACTOR HAS PREFERRED FABRICATION OR AVAILABILITY.
2. ALTERNATES TO BE APPROVED BY THE DESIGN ENGINEER.

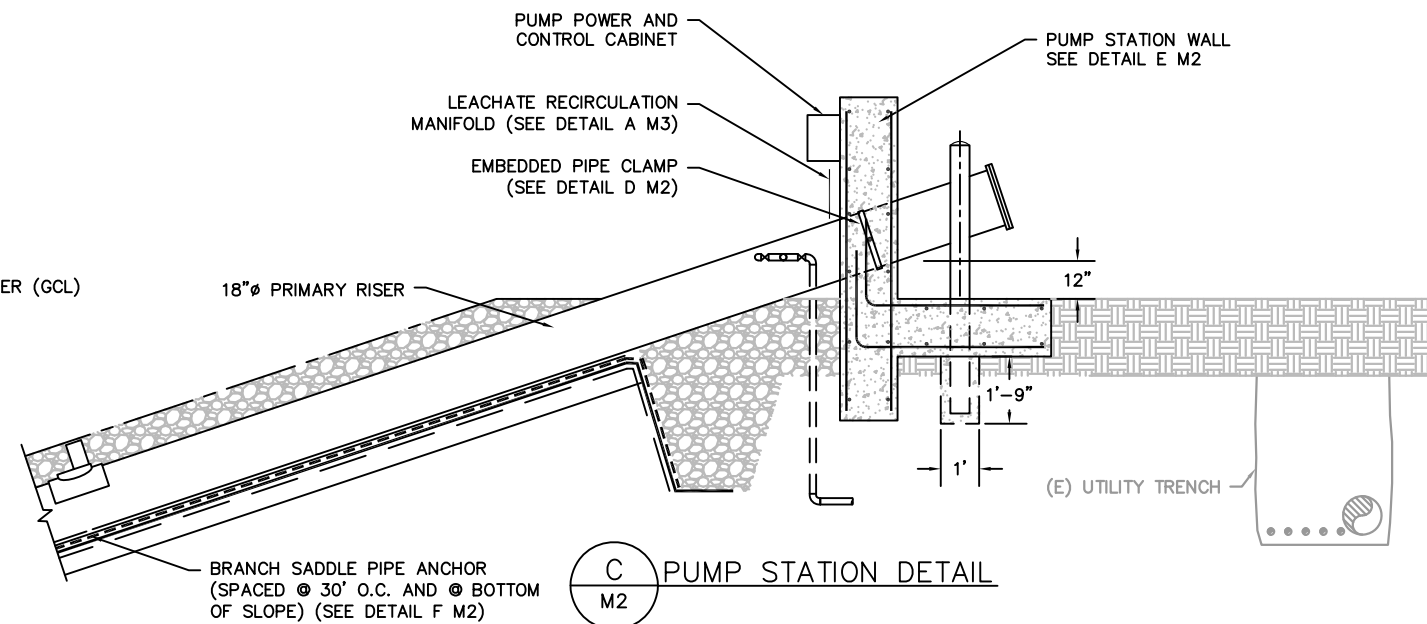
B PERFORATIONS DETAIL
M2



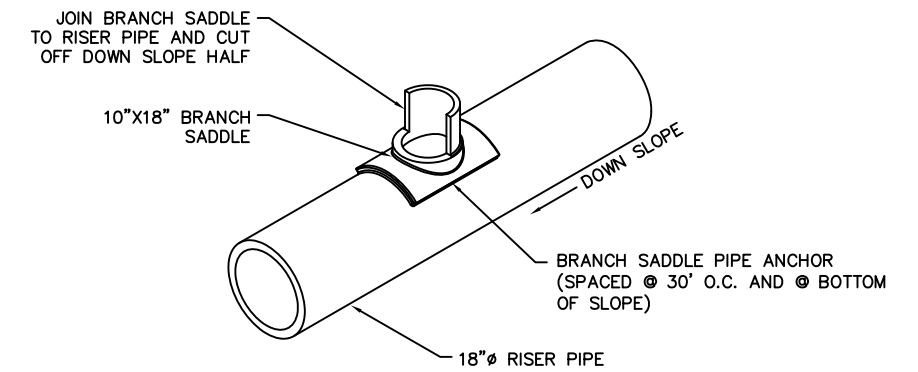
D PIPE CLAMPING DETAIL
M2

LEGEND

- GEOMEMBRANE
- - - - CUSHIONING GEOTEXTILE
- GEOSYNTHETIC CLAY LINER (GCL)
- - - - GEONET COMPOSITE
- - - - SEPARATING GEOTEXTILE



C PUMP STATION DETAIL
M2



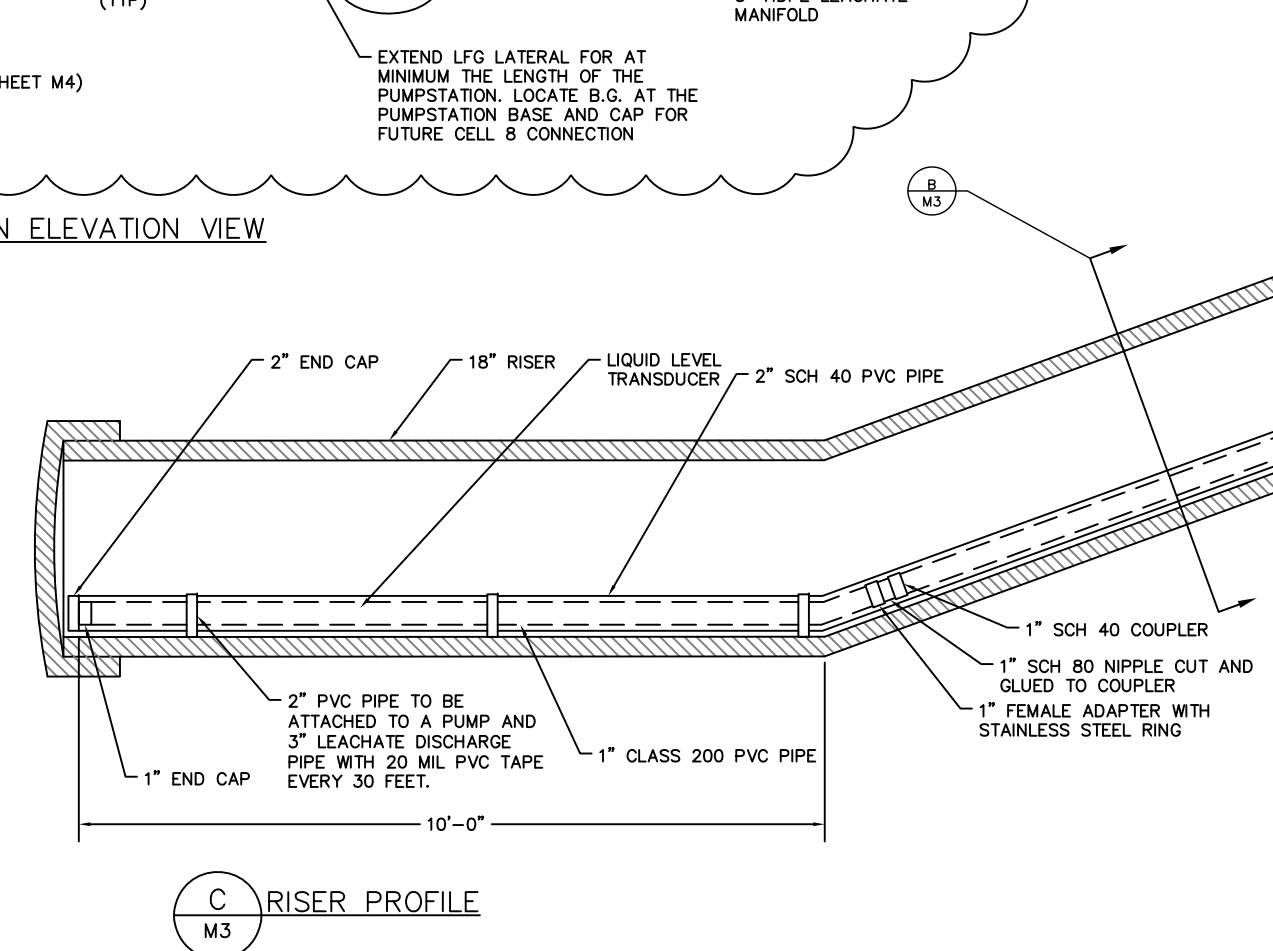
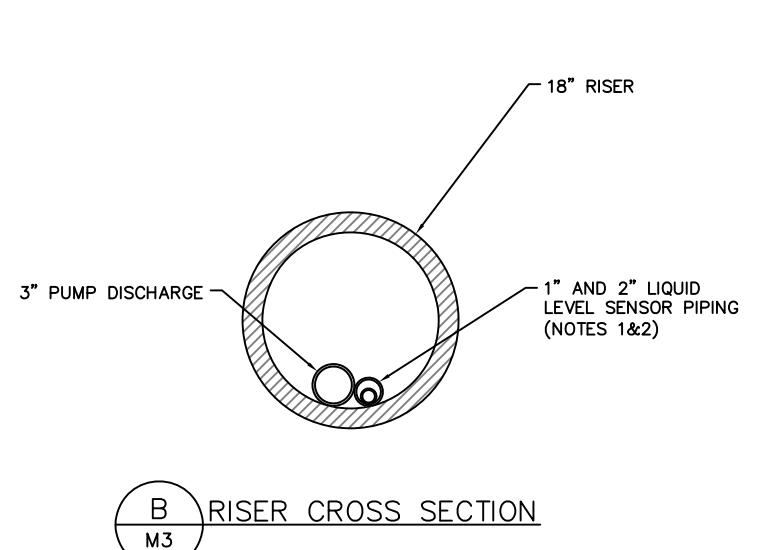
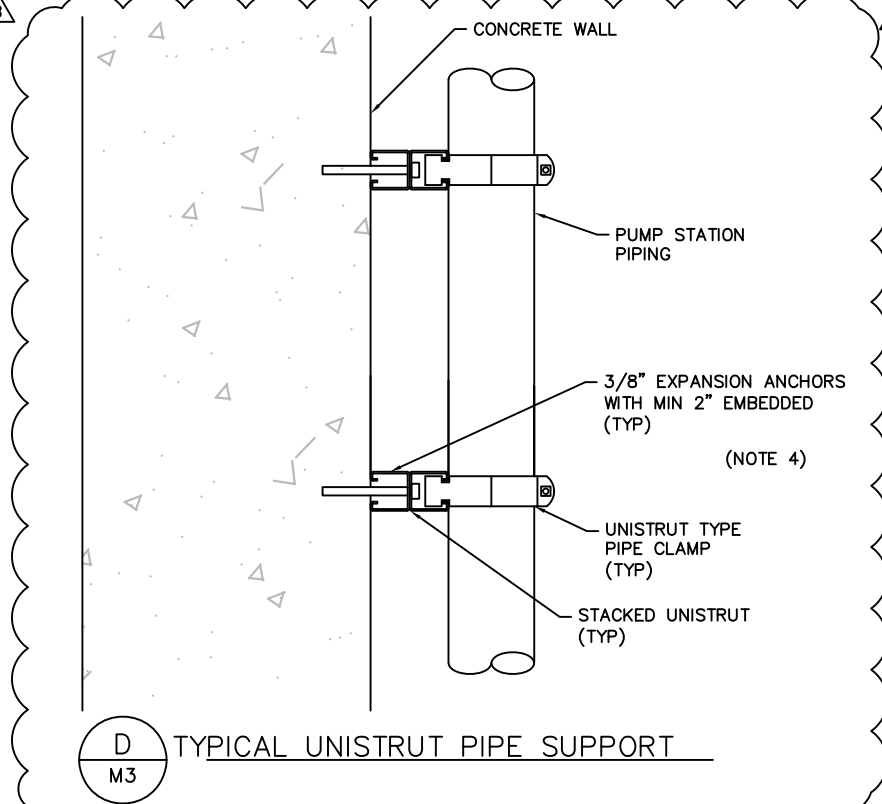
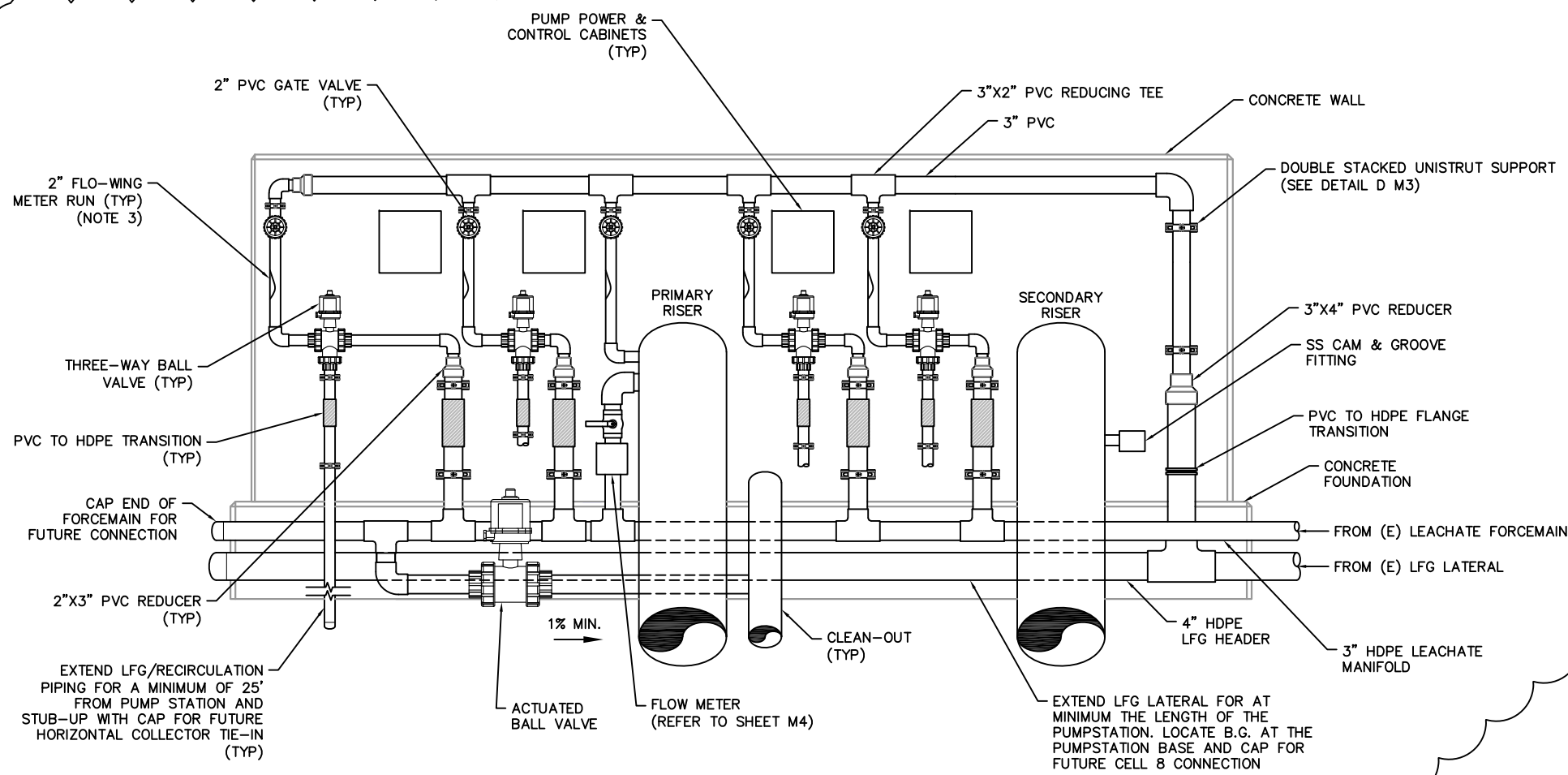
F PIPE ANCHOR DETAIL
M2



Z:\ESI CAD Directory\Job Files\CAD\Knott Landfill\2017\2017 Design.dwg 10/13/2017 pdeating

			JOB No. 018.005	DESIGNED: CF	PROJ. ENGINEER: CF	 15820 BARCLAY DRIVE SISTERS, OR 97759 PHONE: (541) 549-8766 FAX: (541) 549-1901	 G. Friesen Associates, Inc. 4088 Orchard Drive Lake Oswego, Oregon 97035 Tel: (503) 635-1233 Fax: (866) 533-5543	KNOTT LANDFILL CELL 7 CONSTRUCTION PROJECT DESCHUTES COUNTY, OREGON	CELL 7 PUMP STATION DETAILS I	DRAWING NUMBER: M2
			SCALE: AS SHOWN	DRAWN BY: PD	APPROVED BY: WS					CAD FILE NUMBER: M02
10/13/17	CF		PUMP STATION REVISIONS							SHEET: 16 OF 20
09/22/17	CF		ISSUED FOR CONSTRUCTION							REV. B
No.	DATE	BY	REVISION							

Z:\ESTI CAD Directory\Job Files\CAD\Knott Landfill\2017\2017 Design.dwg 10/13/2017 pdearing

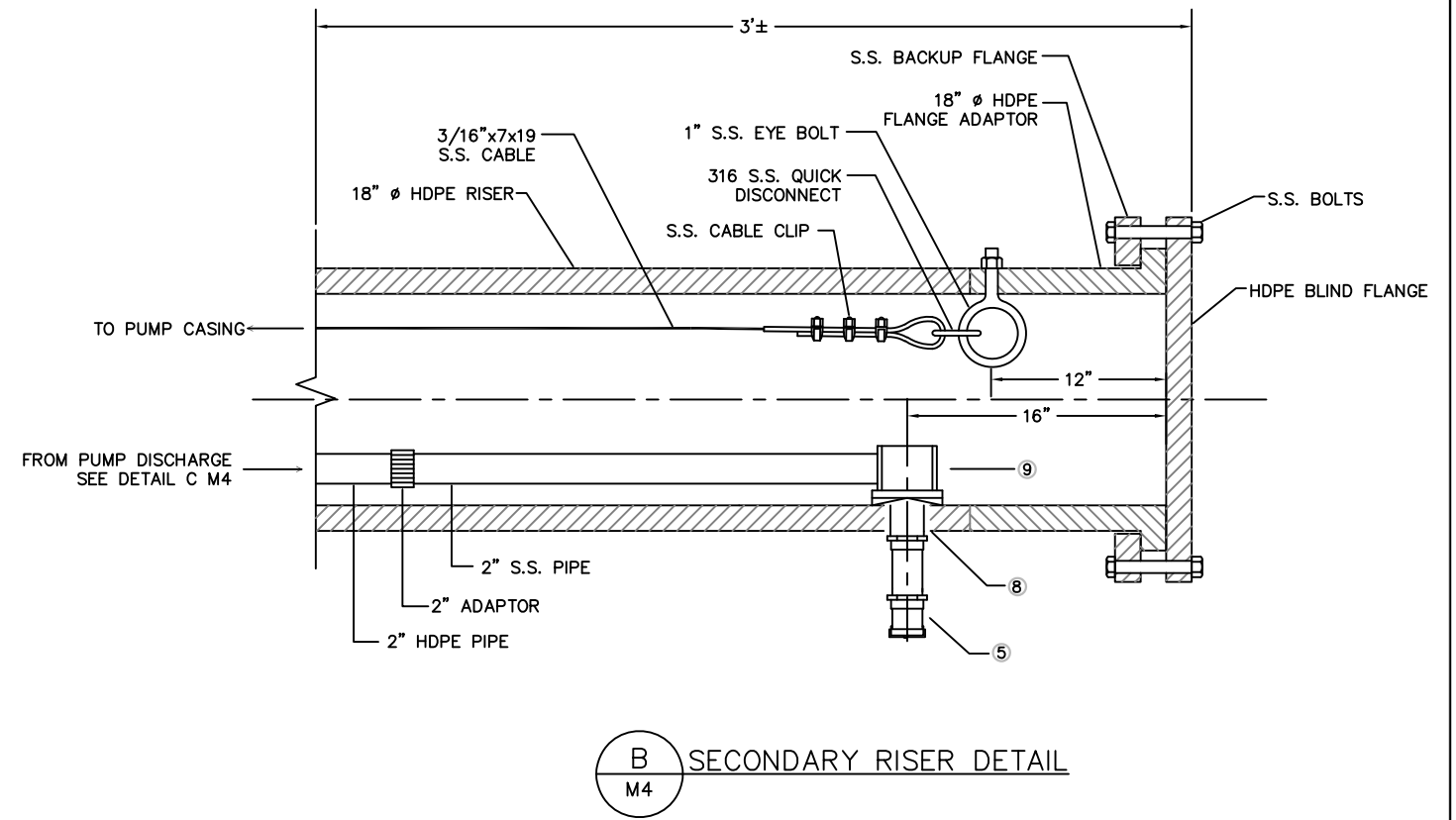
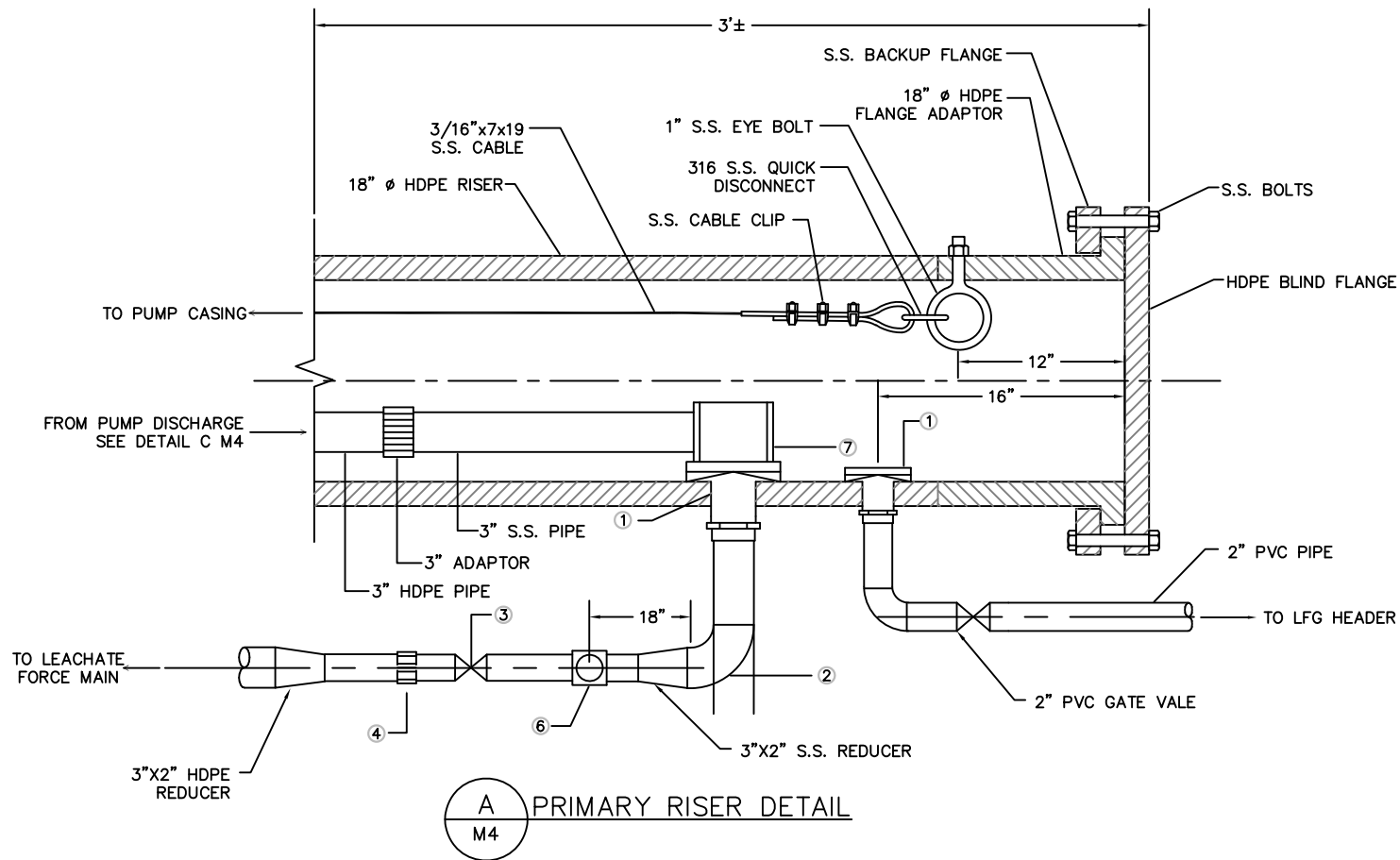


- NOTES:**
- 1" AND 2" PVC PIPE SHALL BE PERFORATED FOR FIRST 10' FROM PVC END CAP. PERFORATIONS: 1/4" Ø, 4" SPACING, 90° AROUND PIPE WITH ROWS STAGGERED 2".
 - 1" AND 2" PVC PIPES TO BE CEMENT JOINED.
 - FLO-WING METER RUN MAY NEED TO BE SHORTENED. 6" OF PIPE MUST BE MAINTAINED UP AND DOWN STREAM OF METERING PORTS.
 - INSTALL AT MINIMUM TWO UNISTRUT STACKED ANCHOR-PIPE CLAMP ASSEMBLIES PER UPRIGHT SECTION OF PUMP STATION PIPING



			JOB No. 018.005	DESIGNED: CF	PROJ. ENGINEER: CF	 15820 BARCLAY DRIVE SISTERS, OR 97759 PHONE: (541) 549-8766 FAX: (541) 549-1901	 G. Friesen Associates, Inc. 4088 Orchard Drive Lake Oswego, Oregon 97035 Tel: (503) 635-1233 Fax: (866) 533-5543	KNOTT LANDFILL CELL 7 CONSTRUCTION PROJECT DESCHUTES COUNTY, OREGON	CELL 7 PUMP STATION DETAILS II	DRAWING NUMBER: M3
			SCALE: AS SHOWN	DRAWN BY: PD	APPROVED BY: WS					CAD FILE NUMBER: M03
10/13/17	CF		PUMP STATION REVISIONS							SHEET: 17 OF 20
09/22/17	CF		ISSUED FOR CONSTRUCTION							REV. B
No.	DATE	BY	REVISION							

Z:\ESTI CAD Directory\Job Files\CAD\Knott Landfill\2017\2017 Design.dwg, 10/13/2017 pdearing

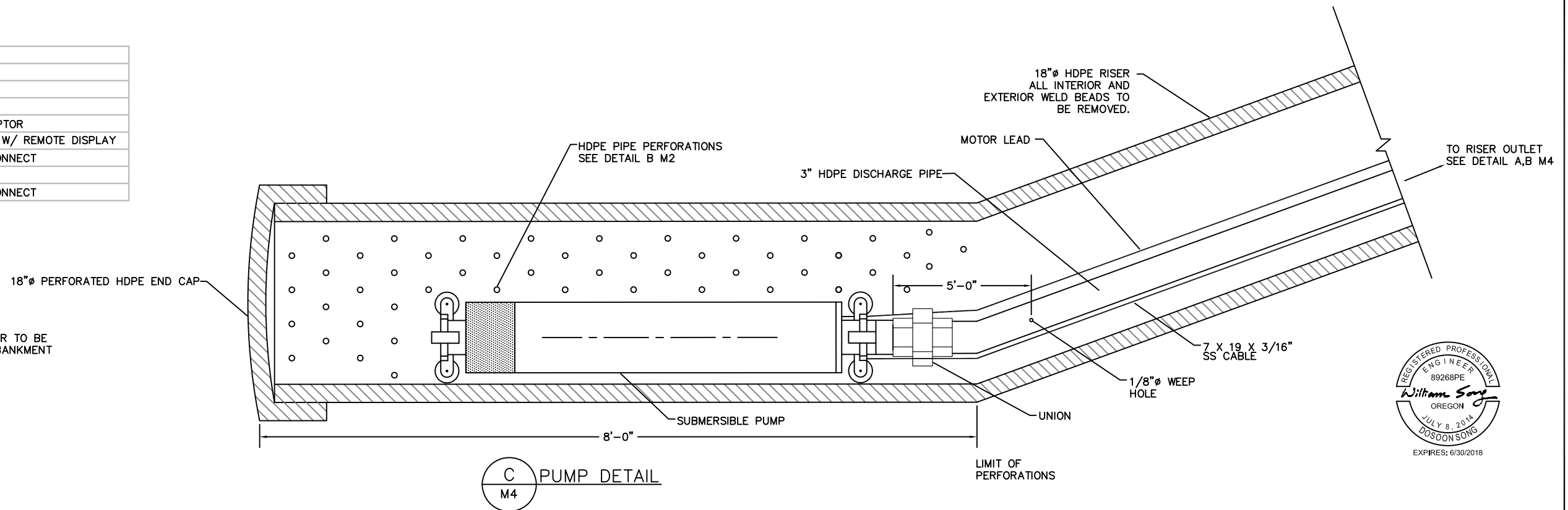


MATERIAL LIST

1	3" S.S. BULKHEAD
2	3" S.S. ELBOW
3	2" BALL VALVE
4	2" SS/HDPE ADAPTER
5	2" SS CAM & GROVE ADAPTOR
6	2" MAGNETIC FLOW METER W/ REMOTE DISPLAY
7	3" 90° ELBOW QUICK DISCONNECT
8	2" S.S. BULKHEAD
9	2" 90° ELBOW QUICK DISCONNECT

NOTE:

1. REMOTE DISPLAY OF FLOW METER TO BE INSTALLED IN THE CENTRAL EMBANKMENT BUILDING.



10/13/17	CF	PUMP STATION REVISIONS	
09/22/17	CF	ISSUED FOR CONSTRUCTION	
No.	DATE	BY	REVISION

JOB No. 018.005	DESIGNED: CF	PROJ. ENGINEER: CF
SCALE: AS SHOWN	DRAWN BY: PD	APPROVED BY: WS
	CHECKED BY: WS	DATE: 09/22/17

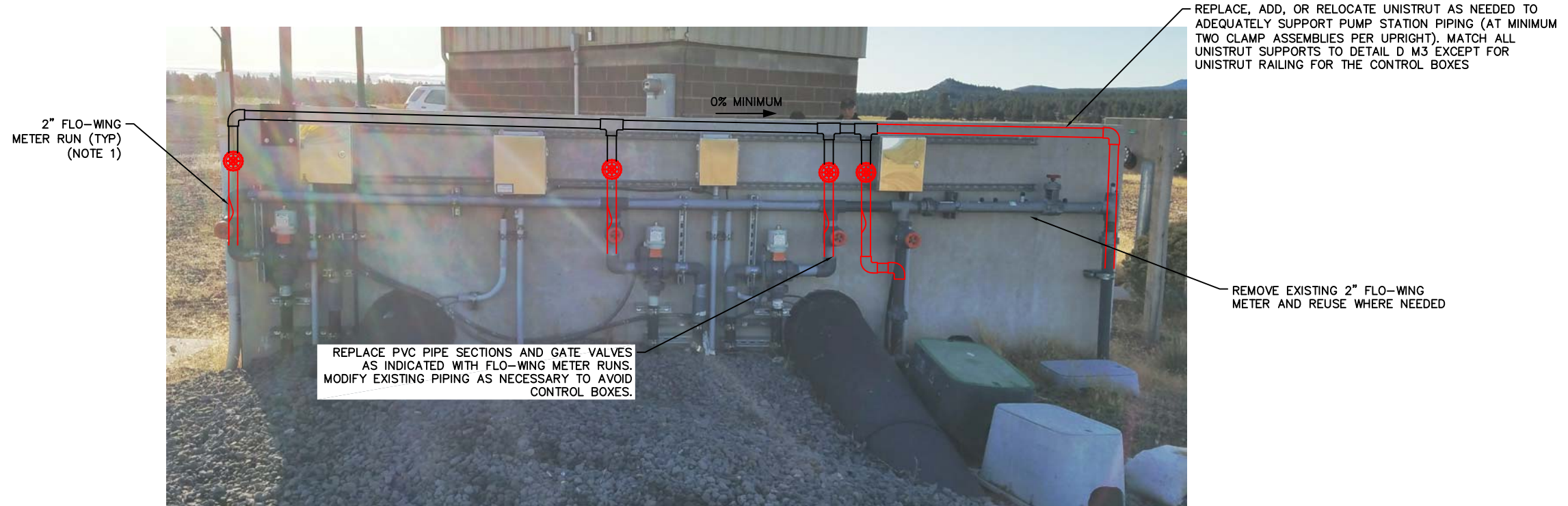
ENERGYNEERING SOLUTIONS INC
 15820 BARCLAY DRIVE SISTERS, OR 97759
 PHONE: (541) 549-8766
 FAX: (541) 549-1901

G. Friesen Associates, Inc.
 4088 Orchard Drive
 Lake Oswego, Oregon 97035
 Tel: (503) 635-1233
 Fax: (866) 533-5543

**KNOTT LANDFILL
 CELL 7 CONSTRUCTION
 PROJECT
 DESCHUTES COUNTY, OREGON**

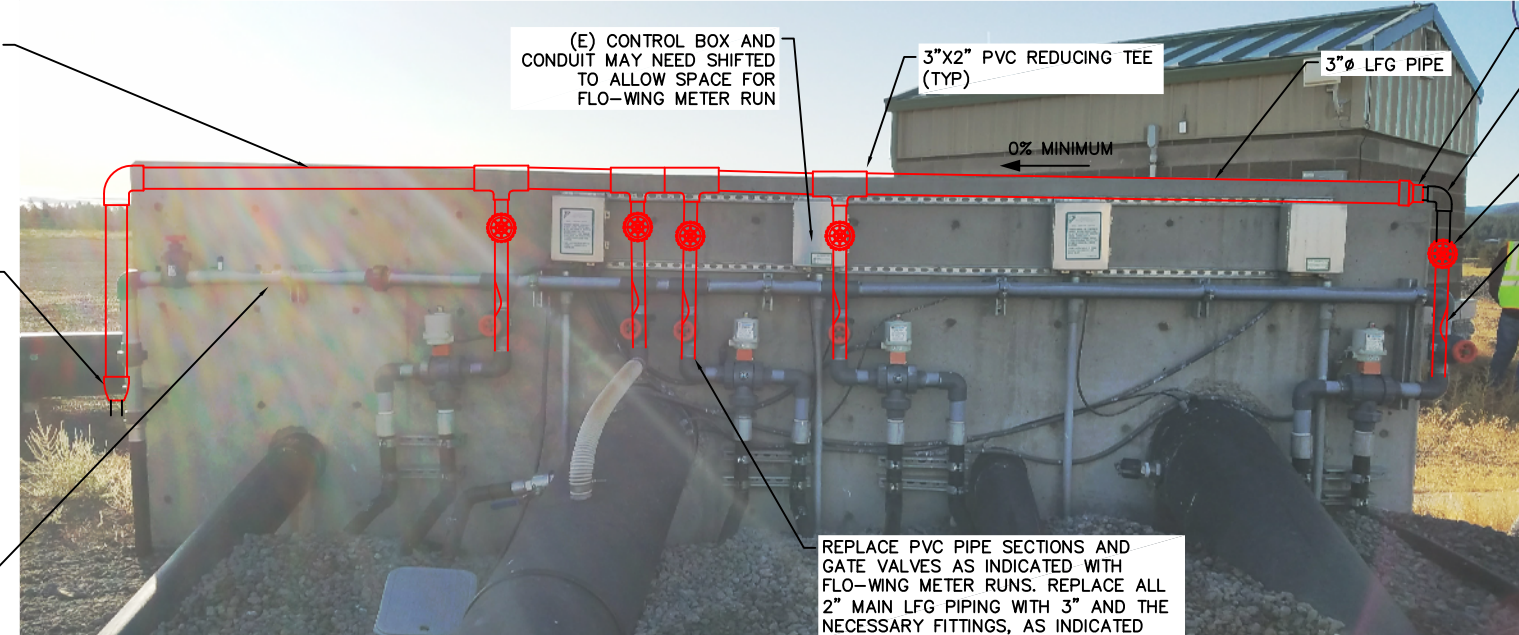
**CELL 7
 LEACHATE RISER DETAILS**

DRAWING NUMBER: M4
CAD FILE NUMBER: M04
SHEET: 18 OF 20
REV. B



A CELL 5 PUMP STATION
M5

REPLACE, ADD, OR RELOCATE UNISTRUT AS NEEDED TO ADEQUATELY SUPPORT PUMP STATION PIPING (AT MINIMUM TWO CLAMP ASSEMBLIES PER UPRIGHT). MATCH ALL UNISTRUT SUPPORTS TO DETAIL D M3 EXCEPT FOR UNISTRUT RAILING FOR THE CONTROL BOXES



B CELL 6 PUMP STATION
M5

NOTES:

1. CUT FLO-WING METER RUNS DOWN IF NECESSARY; 6" OF PIPE MUST BE MAINTAINED UP AND DOWNSTREAM OF METERING PORTS.
2. ALL PIPE MODIFICATIONS SHOWN IN RED.

Z:\EST CAD Directory\Job Files\CAD\Knott Landfill\2017\2017 Design.dwg 10/13/2017 pdearing



10/13/17	CF	PUMP STATION REVISIONS	
09/22/17	CF	ISSUED FOR CONSTRUCTION	
No.	DATE	BY	REVISION

JOB No. 018.005	DESIGNED: CF	PROJ. ENGINEER: CF
SCALE: AS SHOWN	DRAWN BY: PD	APPROVED BY: WS
	CHECKED BY: WS	DATE: 09/22/17

ENERGYNEERING
SOLUTIONS INC
15820 BARCLAY DRIVE SISTERS, OR 97759
PHONE: (541) 549-8766
FAX: (541) 549-1901

G. Friesen Associates, Inc.
4088 Orchard Drive
Lake Oswego, Oregon 97035
Tel: (503) 635-1233
Fax: (866) 533-5543

KNOTT LANDFILL
CELL 7 CONSTRUCTION
PROJECT
DESCHUTES COUNTY, OREGON

CELL 7
CELL 5 & 6 PUMP STATION MODIFICATIONS

DRAWING NUMBER: M5
CAD FILE NUMBER: M05
SHEET: 19 OF 20
REV. B



A EXISTING CONDUIT STUB-OUTS
M6



Z:\EST\CAD Directory\Job Files\CAD\Knott Landfill\2017\2017 Design.dwg, 10/13/2017 pdearing

				JOB No. 018.005	DESIGNED: CF	PROJ. ENGINEER: CF	 15820 BARCLAY DRIVE SISTERS, OR 97759 PHONE: (541) 549-8766 FAX: (541) 549-1901	 G. Friesen Associates, Inc. 4088 Orchard Drive Lake Oswego, Oregon 97035 Tel: (503) 635-1233 Fax: (866) 533-5543	KNOTT LANDFILL CELL 7 CONSTRUCTION PROJECT DESCHUTES COUNTY, OREGON	CELL 7 CONDUIT STUB-OUTS	DRAWING NUMBER: M6
				SCALE: AS SHOWN	DRAWN BY: PD	APPROVED BY: WS					CAD FILE NUMBER: M06
A	10/13/17	CF	PUMP STATION REVISIONS	CHECKED BY: WS	DATE: 09/22/17	SHEET: 20 OF 20					REV. B
A	09/22/17	CF	ISSUED FOR CONSTRUCTION								
No.	DATE	BY	REVISION								